

REV	DESCRIPTION	DRW.	DATE
00	初版发行	C.W	2023.08.07

Notes/备注:

1. Electrical properties/电气特性

UL Standard/UL标准

Use Group/应用组别	B	C	D
Rated Voltage/额定电压 (V)	600	600	600
Rated Current/额定电流 (A)	57	57	5
Withstanding voltage/工频耐电压	AC 2000V/1Min		

IEC Standard/IEC标准

Rated Voltage/额定电压 (V): 1000
Rated Current/额定电流 (A): 57

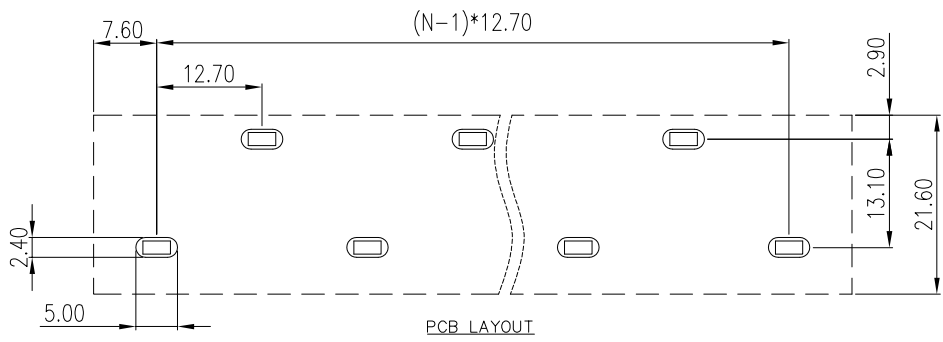
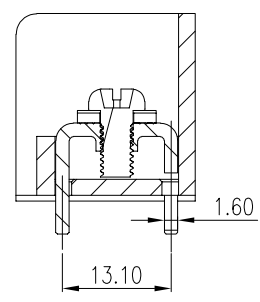
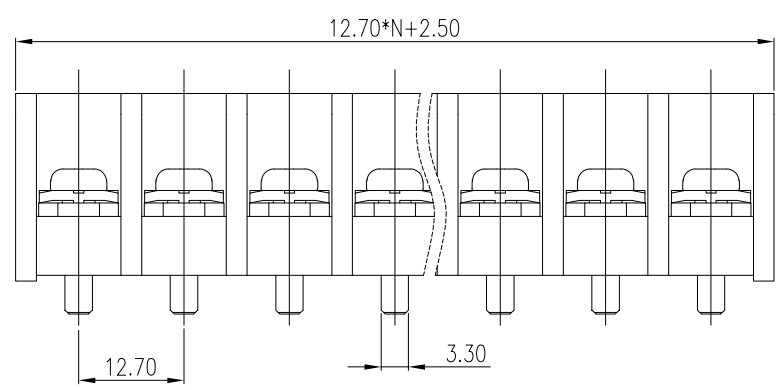
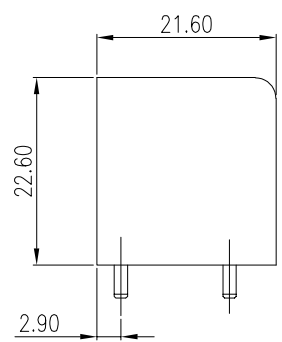
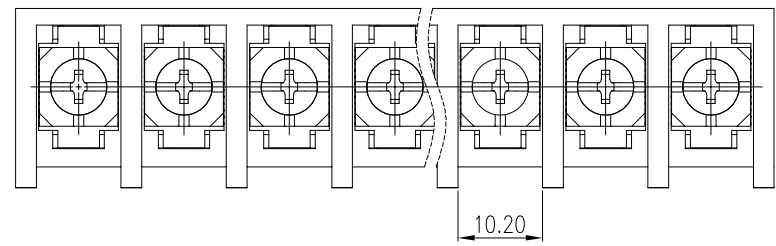
Overvoltage Category/过电压类别 /Pollution Degree/污染等级	II/2	III/2	III/3
Voltage/电压 (V)	1000	1000	800
Rated Impulse Voltage/冲击耐电压 (KV)	8	8	8

2. Connection data/连接数据

Wire range/线径范围 (AWG/mm²): 18~8/1.0~10
Stripping length/剥线长度 (mm): 12~14
Wire tightening torque/导线扭矩 (N.m): 1.2~1.5

3. Environmental safety/环境安全

Operating temperature/工作温度范围 (°C): -40~+120
RoHS compliant/符合RoHS环保要求



		Nominal dimension Tolerances (mm)						
0	over	over	over	over	over	over	over	
to	18	30	50	80	120	180	250	
18	to	to	to	to	to	to	to	
	30	50	80	120	180	250	320	
	±0.25	±0.3	±0.35	±0.5	±0.7	±0.9	±1.0	
							±1.2	

APP.	DATE:	PART NO:	
CHK.	DATE:	FB606-11B-XXP-W05	
DRW. C.W	DATE: 2023.08.07	DARWING TYPE: Customer Drawing	
PROJECTION		UNITS: mm	SCALE: 1.5:1 SHEET/OF: 1/1
		昆山艾尼维尔电子有限公司 KUN SHAN AINEWELL ELECTRONICS CO.,LTD	